



# BULLOCK

[www.bullockmfg.com.au](http://www.bullockmfg.com.au)

## MODEL 4900 CURTAIN TYPE FIRE DAMPER

### PRODUCTION DESCRIPTION

The Bullock Model 4900 Curtain Type Fire Damper is installed to protect airconditioning and ventilation penetrations through fire rated walls or slabs.

The Model 4900 Damper has been tested for 4 hours in a masonry wall and concrete slab and 2 hours in a steel stud plasterboard wall.

Certified by C.S.I.R.O. for these ratings, this model complies with AS1682.1-2015.



*Model 4900 Curtain Type Fire Damper*

Your local representatives details can be located at [www.bullockmfg.com.au](http://www.bullockmfg.com.au)



**BULLOCK**  
[www.bullockmfg.com.au](http://www.bullockmfg.com.au)



# BULLOCK

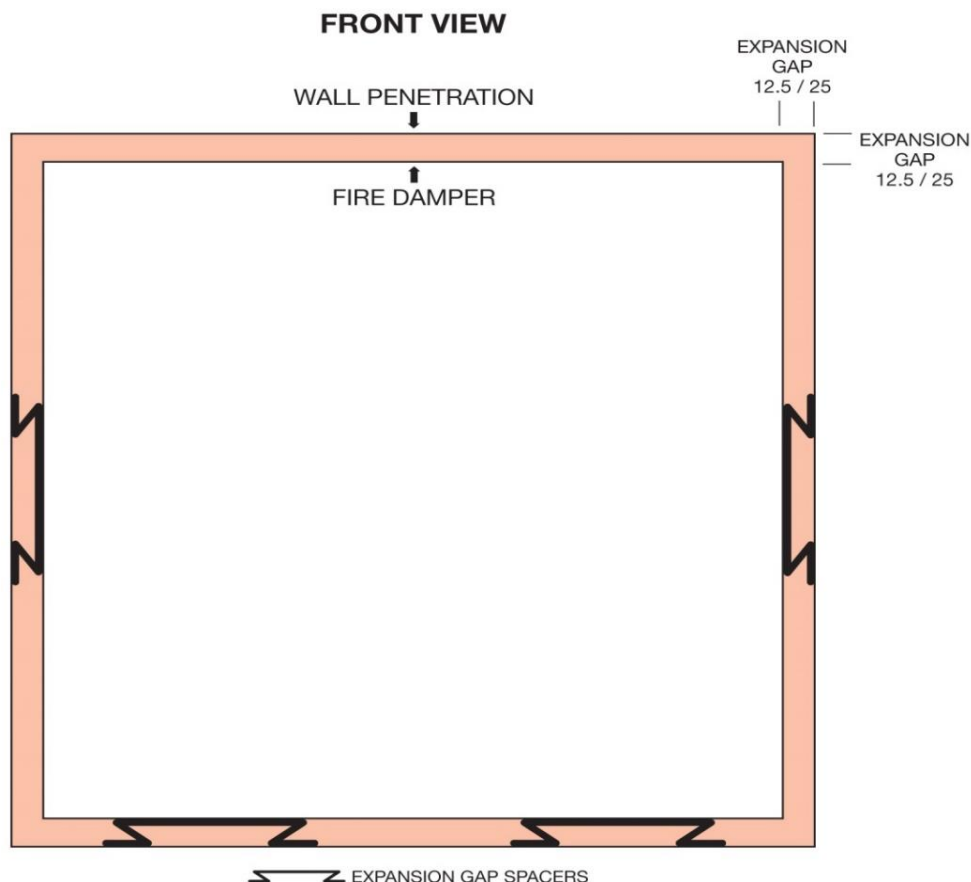
www.bullockmfg.com.au

## MODEL 4900 CURTAIN TYPE FIRE DAMPER

- Australian tested to AS1530 by C.S.I.R.O. in:
  - a) Masonry walls for 4 hours. Sponsored investigation FSV0094
  - b) Concrete slabs for 4 hours. Sponsored investigation no. 1864
  - c) Steel stud plasterboard partition for 2 hours. See Wall manufacturers instructions
- All galvanised steel construction
- Single (UL33 rated) fusible link
- Readily available sizes:
  - wall type 150mm x 150mm up to 4800mm x 4800mm
  - slab type 150mm x 150mm up to 750mm x 750mm (contains 2 x 301 S/S conforce springs)
- Optional TDF/TDC type flanges available for 1 x leakage/breakaway point (Low melting point bolts to be used)
- Optional metal expansion gap seals available for a factory set 10mm expansion gap

### METAL EXPANSION GAP SPACERS

Metal expansion gap spacers are standard on Model 4900 Bullock Curtain Type Fire Dampers. Metal spacers allow the damper to be installed in situ with a controlled 10mm expansion gap (AS1682.2-2015). This means no installation or inspection costs plus the elimination of health hazardous fibers. (Australian Patent #-624288)



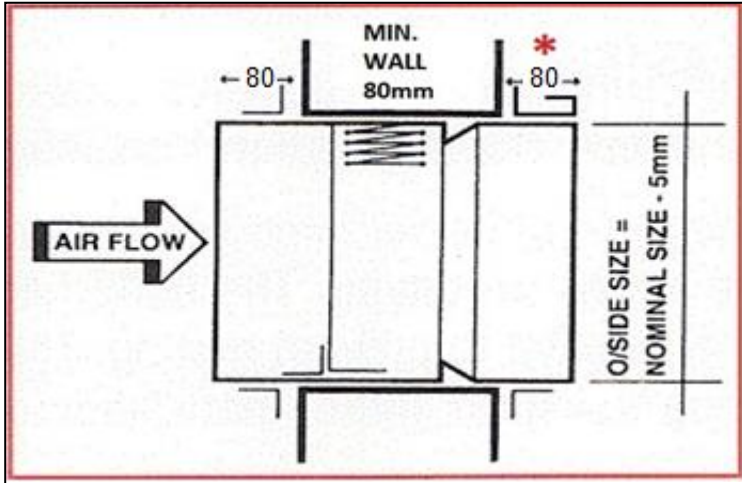
Your local representatives details can be located at [www.bullockmfg.com.au](http://www.bullockmfg.com.au)



**BULLOCK**  
www.bullockmfg.com.au



## MODEL 4900 CURTAIN TYPE FIRE DAMPER



### STYLE D

#### DUCT - TO - DUCT

Order should read as follows:

Width (blade length) x Height x Wall thickness

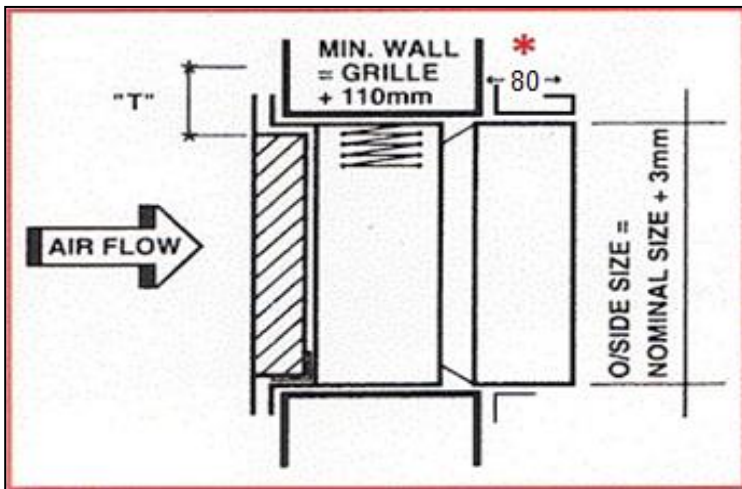
Minimum wall thickness = 80mm

**\* Channel width may increase with small walls**

Flange sizes are as follows:

Sizes under 1200 x 1200 = 30mm

Sizes over 1200 x 1200 = 50mm



### STYLE GR

#### GRILLE - TO - DUCT

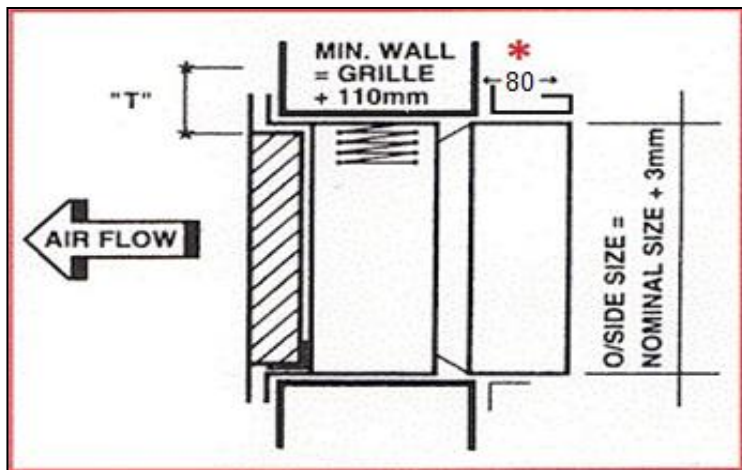
Order should read as follows:

Width (blade length) x Height x Wall thickness x Depth of recess for Grille x Flange

**\* Channel width may increase with small walls**

Minimum flange size "T" (max W or H / 100) + 10.

Refer AS1682.2-2012



### STYLE GS

#### DUCT - TO - GRILLE

Order should read as follows:

Width (blade length) x Height x Wall thickness x Depth of recess for Grille x Flange

**\* Channel width may increase with small walls**

Minimum flange size "T" (max W or H / 100) + 10.

Refer AS1682.2-2012

Your local representatives details can be located at [www.bullockmfg.com.au](http://www.bullockmfg.com.au)





# BULLOCK

[www.bullockmfg.com.au](http://www.bullockmfg.com.au)

## MODEL 4900 CURTAIN TYPE FIRE DAMPER

Openings in fire rated walls or slabs shall be protected by Bullock Model 4900 Curtain Type Fire Damper or approved equivalent. Dampers shall be provided where shown on drawings and wherever required to meet local regulations and must comply with AS1682.1-2015.

Dampers shall be installed in strict accordance with the manufacturer's installations, to comply with the certificates of test furnished by the manufacturer.

The damper's construction must be in compliance with the tested prototype. The body being made with galvanised steel with any welds coated with cold zinc primer type paint to prevent rusting. The damper body must be strong and rigid to prevent operational damage during transport and/or installation on site.

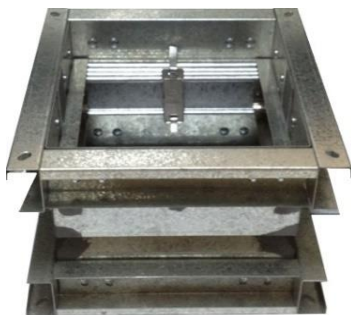
The dampers expansion gap must be constantly maintained with the use of Bullock's Metal Gap Spacer sealing system, complying with AS1682.2-2015 or an approved equivalent. Fusible links are to operate at 68°C having a UL33 rating or AS1890 rating.

### INSTALLATION

Compliance with installation instructions is critical. Refer to separate wall/slab type installation instructions to suit your requirements.

### MAINTENANCE

This model requires little maintenance once installed. Refer to AS1851-2012 for detailed servicing procedures.



Model 4900s Spring Type  
Curtain Fire Damper



Optional TDF Flanges

Your local representatives details can be located at [www.bullockmfg.com.au](http://www.bullockmfg.com.au)